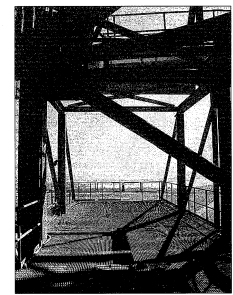
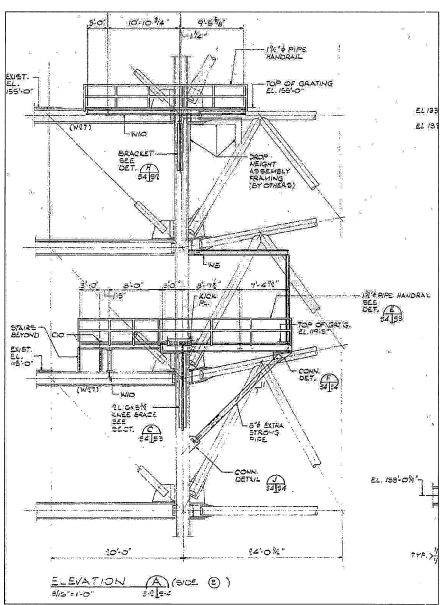
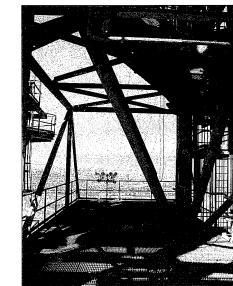


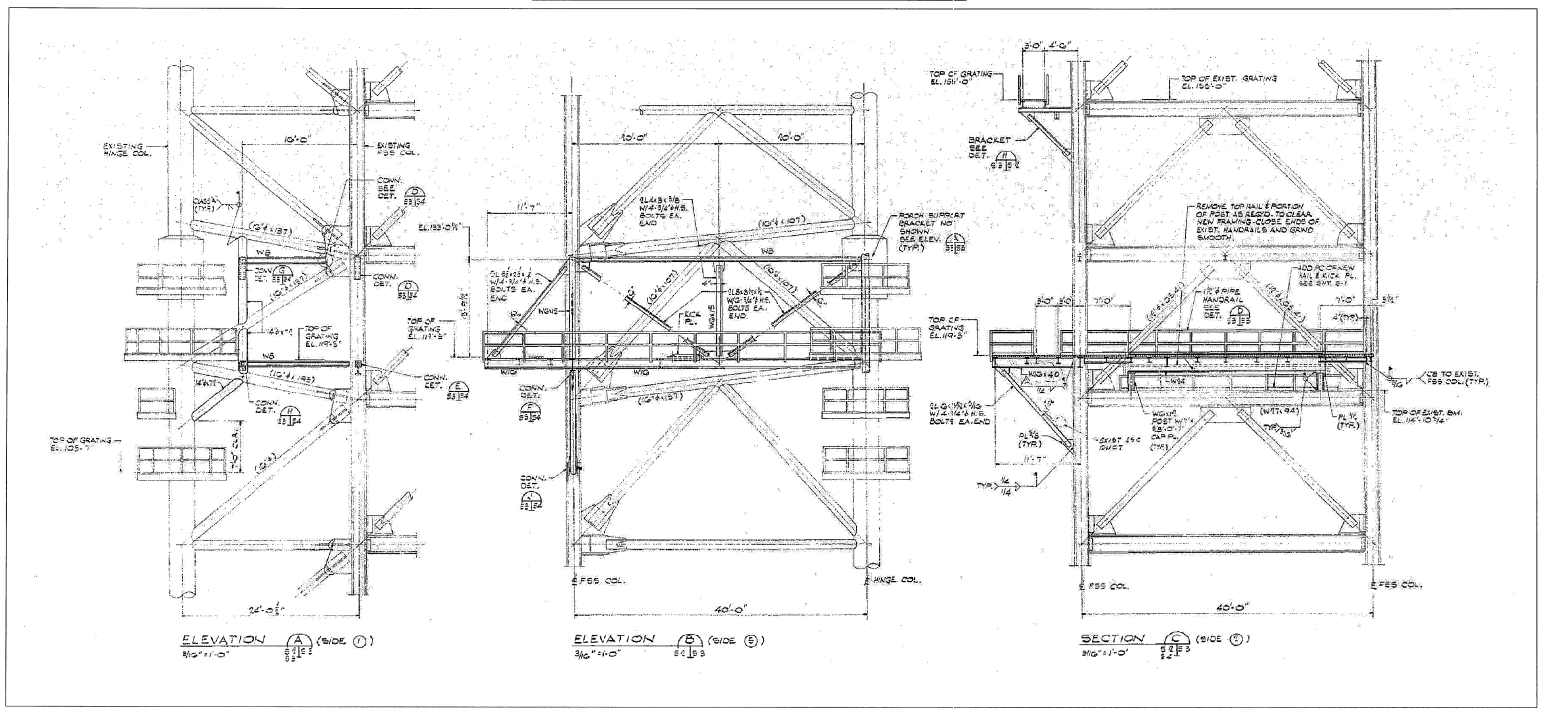
NOTICE: When Government drawings, specifications, or other data are used for any purpose other than in connection with a definitely related Government procurement operation, the United States Government thereby incurs no responsibility nor obligation, endorsement, and the fact that the Government may have furnished, furnished, or in any way supplied the said drawings, specifications or other data is not to be regarded as an indication or approval of its accuracy, or as an assumption of liability on the part of the Government or any person or corporation, or as an authority or permission to manufacture, use, or sell the patented invention that may in any way be related thereto.



CENTAUR PLATFORM (LOOKING EAST)



CENTAUR PLATFORM (LOOKING WEST)

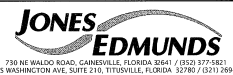


**CENTAUR PLATFORM ELEVATIONS**

NTS - SOURCE FILE 79K24553 SHEET S3

THIS SPACE RESERVED

SYM	ZONE	DESCRIPTION	DATE	APPROVED
REVISIONS				
THIS DRAWING CREATED IN AUTOCAD 2007 FILE FORMAT AND WILL BE REVISED ONLY ON AN AUTOCAD SYSTEM. FILE: 14005006-548.DWG				



SIGNATURES		DATE		NATIONAL AERONAUTICS AND SPACE ADMINISTRATION JOHN F. KENNEDY SPACE CENTER, NASA KENNEDY SPACE CENTER, FLORIDA	
DRAWN S. HAFERKAMP		06/24/09		LAUNCH COMPLEX 39B, DEMOLITION OF FSS/RSS AT LAUNCH COMPLEX 39B, DEMOLITION PACKAGE CENTAUR PLATFORM ELEVATIONS	
CHECKED S. BHIDE		06/24/09			
DESIGNED N. PONTILLO		06/24/09			
SUBMITTED NP		6/24/09			
APPROVED <i>[Signature]</i>		6/24/09			
S48	TITLE	DATE	SIZE	DWG. NO.	REV
			F	222W220001	
	PROJ. NO. 98580				SHEET 63